

# Washer extractor

## WH6-8 Clarus Vibe



Washer featuring exceptional savings and effortless use



### Priority on people

Certified ergonomic design with a human-centered approach for an outstanding user experience

- ClarusVibe microprocessor and 7" color TS control: intuitive, fully editable programs, multi-language, on-screen statistics, fully controlling the detergent pumps
- Very easy connection to Electrolux pumps Jetsave and Dosave with one cable for power supply and one for dosing signals
- Simple connection to all generic pumps
- Connection to up to 15 pumps



### Long-term savings

Innovative features designed for lowest possible water, energy and detergent consumption, to save money and time, and embrace a sustainable lifestyle

- Automatic Savings weighs the linen and adjusts the water level to the amount of linen, saving water and energy at less than full load
- Intelligent Dosing ensures that the precise amount of chemicals will be added automatically according to the weight of the load, saving chemicals
- Power Balance measures, corrects the unbalance and adjusts the G force in real time, maximizing the dewatering, saving money and time in the drying process



### Pure control

Monitoring of the status of the equipment and performance from anywhere, allowing to take action to improve the business

- Washers connectable to OnE Laundry, the personal assistant for hygiene validation, process management and revenue management

### Main options and accessories

- Integrated Savings is measuring the load in real time, ensuring optimization of the load and maximum productivity. IS provides also extended machine lifetime through the unique overload protection function, as machine will not start if overloaded. In addition, it will reduce water and energy consumption at less than full load
- Dosave pumps (peristaltic) and Jetsave pumps (venturi) for less maintenance, precise and consistent dosage, easy installation and durable valves
- Connection to booking-/payment system or coin meter



Images shown are a representation of the product only and variations may occur.

| Main specifications                          |                    |       |  | WH6-8           |                      |                 |                      |
|--|--------------------|-------|--|-----------------|----------------------|-----------------|----------------------|
| Max. capacity                                | filling factor 1:9 | kg/lb |  | 8/18            |                      |                 |                      |
| Drum,  | volume             | litre |  | 75              |                      |                 |                      |
|  | diameter           | ø mm  |  | 520             |                      |                 |                      |
| Extraction                                   |                    | rpm   |  | 1245            |                      |                 |                      |
| G-factor                                     |                    |       |  | 450             |                      |                 |                      |
| Standard heating alternatives                | electricity        | kW    |  | 5.4 / 7.5       |                      |                 |                      |
| Low energy heating alternatives              | electricity        | kW    |  | 2.0 / 3.0       |                      |                 |                      |
|  | steam              |       |  | x               |                      |                 |                      |
|  | non-heated         |       |  | x               |                      |                 |                      |
| <b>Consumption data "ECO 60°C"</b> **        |                    |       |  | EI              |                      | Steam***        |                      |
| Total time                                   |                    | min   |  | Full load, 8 kg | Half load**, 3.75 kg | Full load, 8 kg | Half load**, 3.75 kg |
| Water consumption (cold+hot)                 |                    | litre |  | 62              | 59                   | 62              | 59                   |
| Energy consumption (motor/heating/hot water) |                    | kWh   |  | 46+3            | 26+3                 | 49+0            | 29+0                 |
| Steam consumption                            |                    | kg    |  | 0.2/0.95/0.15   | 0.15/0.55/0.15       | 0.2             | 0.15                 |
| Residual moisture                            |                    | %     |  | -               | -                    | 1.65            | 1.05                 |
|  |                    |       |  | 45              | 46                   | 45              | 46                   |

\* Water temperature 15°C cold water and 65°C hot water.

\*\* Programs with AS.

\*\*\* Depending on steam pressure.

Produced according to ISO 9001 and ISO 14001.

Certified with CB certificate for Low Voltage Directive and S-mark according to the Machinery Directive. Protection class IP X4D.

| Electrical connections |                 |       |                  |                |                    |
|------------------------|-----------------|-------|------------------|----------------|--------------------|
| Heating alternative    | Main voltage    |       | Heating power kW | Total power kW | Recommended fuse A |
|                        |                 | Hz    |                  |                |                    |
| Electric heated        | 220-240V 1/1N - | 50/60 | 2.0/3.0          | 2.3/3.4        | 16/16              |
|                        | 220-240V 1/1N - | 50/60 | 5.4/7.5          | 5.7/7.8        | 25/35              |
|                        | 220-240V 3 -    | 50/60 | 2.0/3.0          | 2.2/3.4        | 10/10              |
|                        | 220-240V 3 -    | 50/60 | 5.4/7.5          | 5.7/7.8        | 16/25              |
|                        | 380-415V 3N/3 - | 50/60 | 2.0/3.0          | 2.2/3.4        | 10/10              |
|                        | 380-415V 3N/3 - | 50/60 | 5.4/7.5          | 5.7/7.8        | 10/16              |
|                        | 440V 3 -        | 50/60 | 5.4/7.5          | 5.7/7.8        | 10/16              |
|                        | 480V 3 -        | 60    | 5.4/7.5          | 5.7/7.8        | 10/16              |
| Steam or Non heated    | 220-480V 1 -    | 50/60 | -                | 1.0            | 10                 |

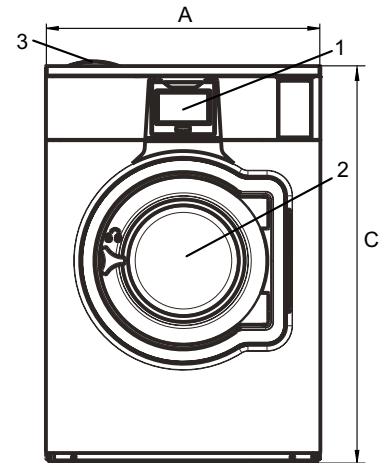
\* Total power and recommended fuse does not depend on the heating power in those cases.

| Water and steam connection                |                           | WH6-8     |
|---|---------------------------|-----------|
| Water valves                              | DN                        | 20        |
| Water pressure                            | kPa                       | 200-600   |
| Capacity at 300 kPa                       | l/min                     | 20        |
| Drain valve                               | ø mm                      | 50/75     |
| Draining capacity                         | l/min                     | 170       |
| Steam valve                               | DN                        | 15        |
| Steam pressure                            | kPa                       | 300-600   |
| Liquid detergent supplies                 |                           | 5         |
| Floor requirements                        |                           |           |
| Frequency of the dynamic force            | Hz                        | 20.8      |
| Floor load at max extraction              | kN                        | 1.9 ± 0.5 |
| Sound levels                              |                           |           |
| Sound power/pressure level at extraction* | dB(A)                     | 73/59     |
| Sound power/pressure level at wash*       | dB(A)                     | 61/47     |
| Heat emission                             |                           |           |
| % of installed power, max                 |                           | 5         |
| Shipping data**                           |                           |           |
| Weight                                    | net, kg                   | 158       |
| Shipping volume                           | m <sup>3</sup>            | 0.81      |
| Accessories                               |                           |           |
| Steel base                                |                           | x         |
| Hose kits for water or steam              |                           | x         |
| Fluff collector                           |                           | x         |
| Dimensions in mm                          |                           |           |
| A Width                                   |                           | 720       |
| B Depth                                   |                           | 720       |
| C Height                                  |                           | 1130      |
| D1  |                           | 350       |
| D2  |                           | 405       |
| E   |                           | 1130      |
| F   |                           | 830       |
| G   |                           | 80        |
| H   |                           | 1030      |
| I   |                           | 225       |
| J   |                           | 125       |
| K   |                           | 1010      |
| L   |                           | 910       |
| M   |                           | 280       |
| N   |                           | 100       |
| O   |                           | 240       |
| 1 Display                                 | 7 Drain valve             |           |
| 2 Door opening ø 310 mm                   | 8 Liquid detergent supply |           |
| 3 Detergent box                           | 9 Electrical connection   |           |
| 4 Cold water                              | 10 Steam connection       |           |
| 5 Hot water                               |                           |           |
| 6 Re-used water                           |                           |           |

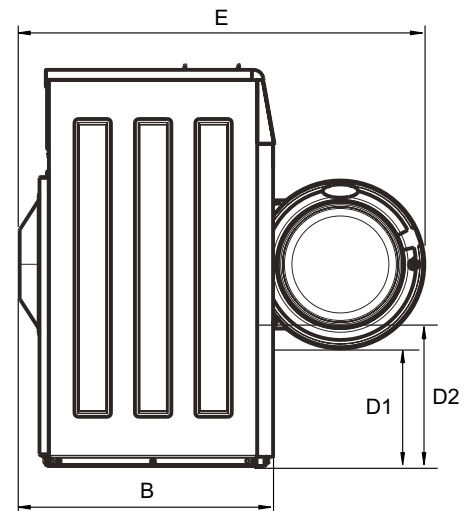
Front and side panels in silver grey and dark blue (color samples can be ordered on part number 472998313).

\* Sound power levels measured according to ISO 60704.

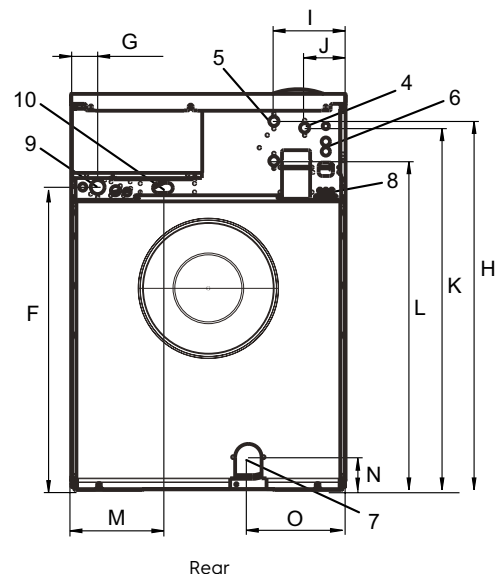
\*\* Average data. Crated weight/shipping volume depends on configuration. Please contact logistics for exact measures.



Front



Side view



Rear